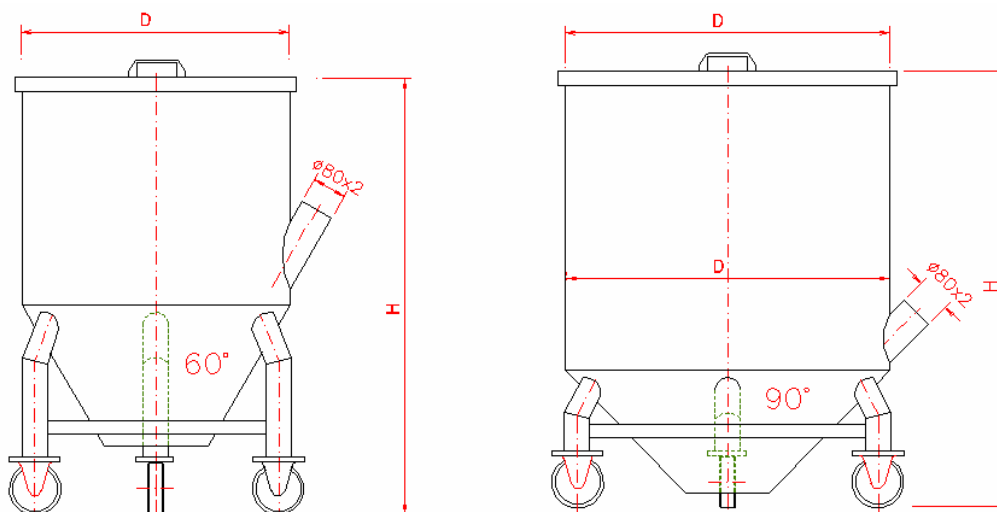


Storage container

for the storage of plastic granulate material



Special features:

- ✓ 4 leg rack, mobile with 2 swivel rollers and 2 brake roles
- ✓ lateral carbine for removal by suction pipe NW 40
- ✓ cid removable with handle
- ✓ container lid prepares for automatic container filling
- ✓ crossbar
- ✓ movement handhold in the cylindrical container part

Options:

- show glass for optical filling state control
- filling level probe for automatic filling state supervision
- suction box for customer specification

volume * Liter	total height H mm	zyl. height mm	Ø / D mm	cone	Art.No. aluminium	Art.No. stainless Steel
50	600		480	60°	1886.08	1890.08
100	800		530	60°	1887.08	1891.08
200	1050		640	60°	1888.08	1892.08
400	1150		780	90°	1889.08	1893.08
500	1595	760	955	90°	2208.08	
600	1735	900	955	90°	1904.08	1906.08
800	2015	1180	955	90°	2209.08	
1000	2290	1460	955	90°	1905.08	1907.08

* bulk density 0,65 kg/dm³

Lanco GmbH

Moselstrasse 56-58
D-63452 Hanau
Tel: +49 (0) 6181 91600 - 0
Fax: +49 (0) 6181 91600 - 40
www.lanco.de